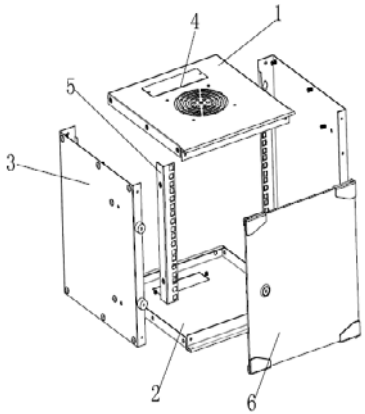


10 Inch SOHO Wall-mounted Cabinet Assembly Instructions



Parts List

1. Top panel - 1pc
2. Bottom Panel - 1pc
3. Side panel - 2pcs
4. Cable entry cover - 2pcs
5. Vertical Mounting Rails - 2pcs
6. Front glass door - 1pc
(6a, 6b, 6c & 6d are glass clamps, 6e is glass door)

Assembly hardware kits:

- A. M5x12 Pan Head Screw - 20pcs
- B. M4x8 Self-tapping Screw - 8pcs
- C. M4x6 Self-tapping Screw with washer - 8pcs
- D. Keys - 2pcs
- E. Lock Mechanism - 1pc

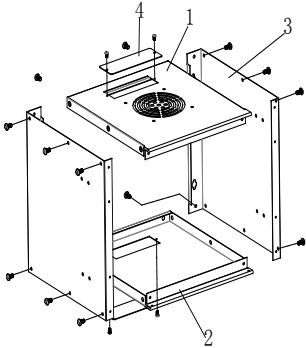
End User Hardware Kits:

U Capacity <=9U, 12 sets cagenut ; U Capacity >=12U, 24 sets cagenut.

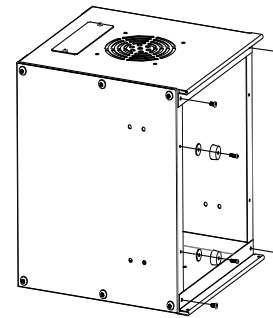
Tip: Check the quantities of the above items before commencing assembly.

(1) Assemble the top panel, bottom panel and side panels using 16pcs M5x12 pan head screws.

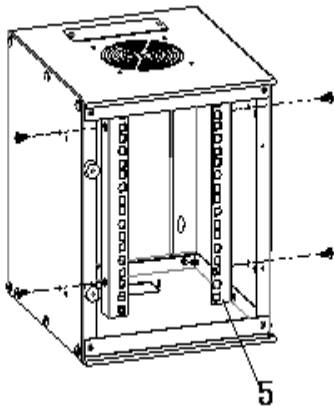
Fit the cable entry covers using 4pcs M4x8 self-tapping screws.



(2) Secure the top panel, bottom panel and side panels using 4pcs M4x8 self-tapping screws at the four corners in the front of the cabinet.



(3) Fit the vertical mounting rails in the desired position using 4pcs M5x12 pan head screws.



(4) Fit the glass clamps (6a/6b/6d) to the glass using 6pcs M4x6 self-tapping screws with washers. Then fit glass clamp/hinge (6c) using 2pcs M4x6 self-tapping screw with washers. Take care not to over-tighten the screws as this may damage the glass.

