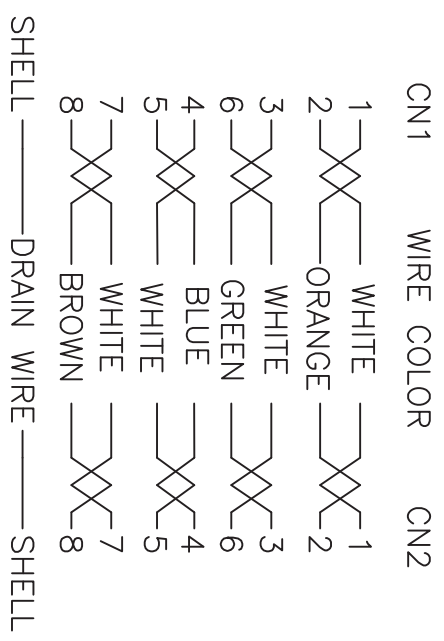


MATERIAL LIST:

NO.	PARTS NAME	SPECIFICATION DESCRIPTION
①	CABLE	U/FTP (30AWG*1PR+A)*4+B+PVC OD:4.8±0.3mm COLOR:ASSORTED UPON REQUEST
②	RJ45 CONNECTOR	RJ45,8P8C,TWO FORK GOLD PLATED CONTACTS WITH METAL HOUSING
③	MOLDING-PVC	MOLDING PVC 50P COLOR:ASSORTED UPON REQUEST

Marking: U/FTP CAT6A 30AWG LSOH 4PAIR PATCH CONFORM ISO/IEC 11801 ED.2 & ANS/TIA-568-C.2 & IEC 60332-1.2

PIN OUT



ELECTRONIC TEST:  
A.OPEN/SHORT/INTERMITTENCE: 100%.

REMARK NO	CHAND	SIGNATURE	DATE	SIGN	SCALE
DRAWN BY	Renzhi				
CHECKED BY					
AUDITED BY		APPROVED BY			
CRAFT		DATE	2017.05.23		

U/FTP CAT 6A 30AWG

ITEM NO. (SECTION SHEET)