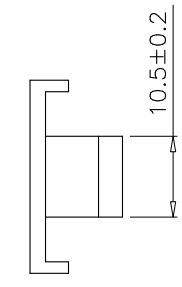
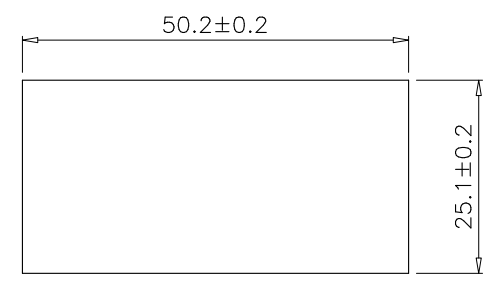
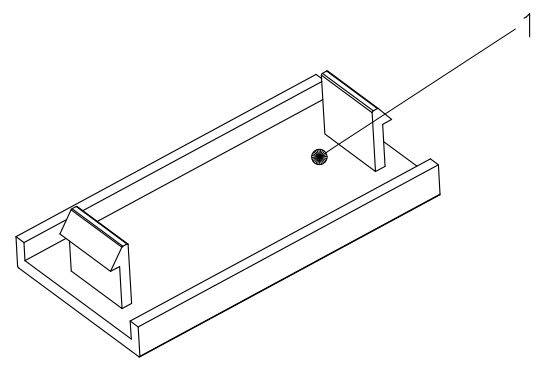


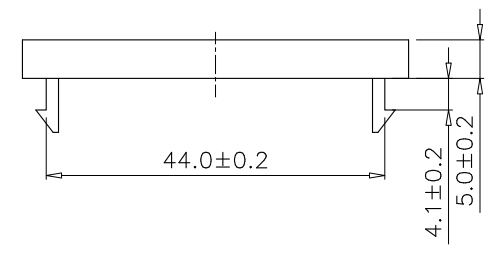
1 2 3 4 5 6

A

A



SCALE 1/1



B

B

C

C

D

D

Specification :

Material :
1. ABS, UL 94-HB, with white color.

GENERAL TOLERANCE OF DIMENSIONS X.XXX ±0.005 X.XX ±0.05 X.X ±0.1	DRAWING	26.MAY.2010	QIQI	Maxxam	
	CHECK	26.MAY.2010	JANE		
	APPROVAL	26.MAY.2010	JAIMY		
		DATE	NAME	ITEM NO.: 72-3660	
	SCALE	1/1 (A4)	UNIT	mm	DES.: Blank Insert
	DRAWING NO. AAIPA0001000004 JE303W1-BB(SA2)				
	DRAWING CLASSIFICATION				S

1 2 3 4 5 6 0 10cm