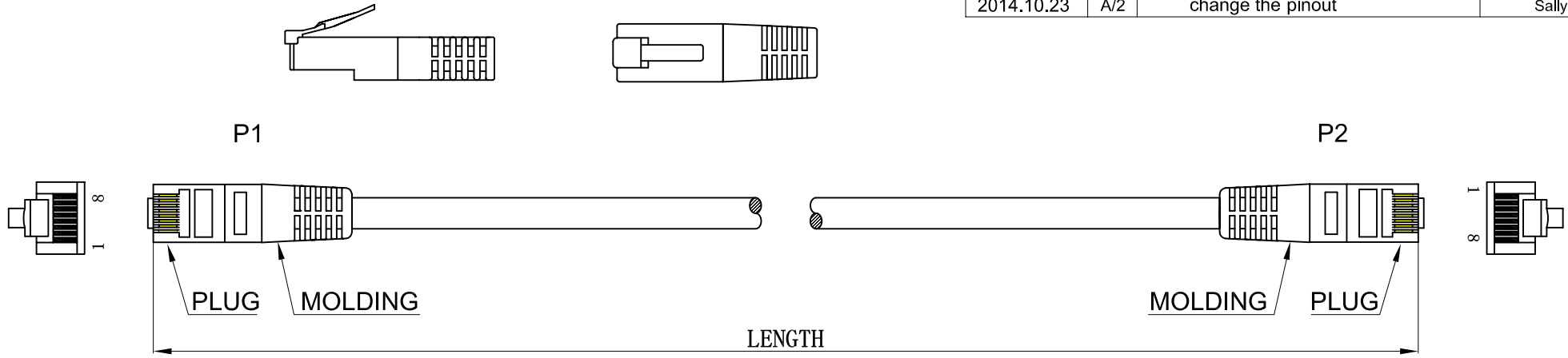
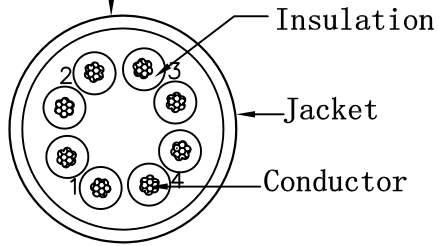


|                   |          |
|-------------------|----------|
| 1                 | 2        |
| CUSTOMER NAME     | Cablenet |
| CUSTOMER Part No. | 62 XXXX  |

|            |     |                                  |       |
|------------|-----|----------------------------------|-------|
| 7          | 8   | 9                                | 10    |
| DATE       | REV | DESCRIPTION                      | BY    |
| 2014.07.01 | A/0 | NEW                              | Sally |
| 2014.07.08 | A/0 | change the conductor description | Sally |
| 2014.10.22 | A/1 | change the company logo          | Sally |
| 2014.10.23 | A/2 | change the pinout                | Sally |



Marking: CAT.6 U/UTP 24AWGX4P PATCH ANSI/TIA-568-C.2 & ISO/IEC 11801 ED.2 & EN 50288-6-2  
 <FP0713> & IEC 60332-1-2 FOR GIGABIT ETHERNET



|                          |                        |
|--------------------------|------------------------|
| orange 2<br>white/orange | green 3<br>white/green |
| blue 1<br>white/blue     | brown 4<br>white/brown |

|            |   |
|------------|---|
| Conductor  | Bare Copper 24AWG<br>7/0.18 ± 0.06mm  |
| Insulation | Thickness: MIN at any point: 0.15mm<br>MAX AVG: 0.25mm<br>Diameter: 0.95 ± 0.06mm       |
| Jacket     | PVC<br>Thickness: MIN at any point: 0.65mm<br>MAX AVG: 0.70mm<br>Diameter: 5.8 ± 0.15mm |

|        |                        |
|--------|------------------------|
| Wire   | CAT.6 U/UTP 24AWG*4P   |
| Plug   | YUS-01 8P8C Gold Flush |
| Length | XX                     |
| Color  | XX                     |

| PA/R | PINOUT     |         |    |
|------|------------|---------|----|
|      | P1 (T568B) | WIRE    | P2 |
| 1    | 1          | WHT/ORG | 3  |
|      | 2          | ORG     | 6  |
| 2    | 3          | WHT/GRN | 1  |
|      | 6          | GRN     | 2  |
| 3    | 4          | BLU     | 7  |
|      | 5          | WHT/BLU | 8  |
| 4    | 7          | WHT/BRN | 4  |
|      | 8          | BRN     | 5  |

|             |           |        |         |
|-------------|-----------|--------|---------|
| Key Size    | △         | 3RD    | ⊙       |
| Length (mm) | Tolerance |        |         |
|             | Critical  | Normal | General |
| 0-15        | ±0.05     | ±0.10  | ±1.0    |
| 15-60       | ±0.10     | ±0.20  |         |
| 60-150      | ±0.15     | ±0.35  | ±1.5    |
| 150-350     | ±0.20     | ±0.50  |         |
| 350-1000    | ±0.40     | ±0.65  |         |

|             |                                   |            |            |
|-------------|-----------------------------------|------------|------------|
| Part No.    | 62 XXXX                           |            |            |
| Description | CAT.6 U/UTP 24WAG*4P YUS-01 L-844 |            |            |
| UNIT        | mm                                | APPROVAL   | CHECKER    |
| PAGE        | 1/1                               | 2014.10.23 | 2014.10.23 |
| Draw.No.    |                                   | 章曉         | 蔡秀云        |
|             |                                   |            | Sally      |