

Technical requirement 技术参数：

1. Electrical Characteristics Test 电气性能检验

- 1.1 Products 100% for electrical test. 成品100%电性测试。
- 1.2 Insulation resistance: No less than 100MΩ of 500V DC/0.4S;
绝缘阻抗: 大于或等于100MΩ 500V DC/0.4S;
- 1.3 Dielectric strength 耐电压

- 1.3.1 Between two conductors 2500_0^{+200} V AC for 1.0s Trip-current 3.0mA max.
导体与导体之间 2500_0^{+200} V AC /1秒, 漏电流3.0mA(max).
- 1.3.2 Between conductor and body 4200_0^{+200} V AC for 1.0s - Trip current 3.0mA max.
导体与本体之间 4200_0^{+200} V AC /1.0秒, 漏电流3.0mA(max).

- 1.4 Earth continuity test: 25 ± 0.75 A/1S, resistance shall not exceed 117mΩ.
接地导通测试: 25 ± 0.75 A/1S, 电阻值不可超过117mΩ.

2. Mechanical Characteristics Test 机械性能检验

2.1. Withdrawal force 拔出力

- 2.1.1 For checking each PIN independently from the standard-gauge below 2.0N(Min) Keep for 3S or more.
标准量规对连接器插孔单PIN 保持力为最小2.0N保持3秒以上。
- 2.1.2 For checking Integral withdrawal force 60N(Max) from maximum standard gauge. 标准量规(最大值)检查整体拔出力 60N(最大).

3. Finished product conditions 成品状态

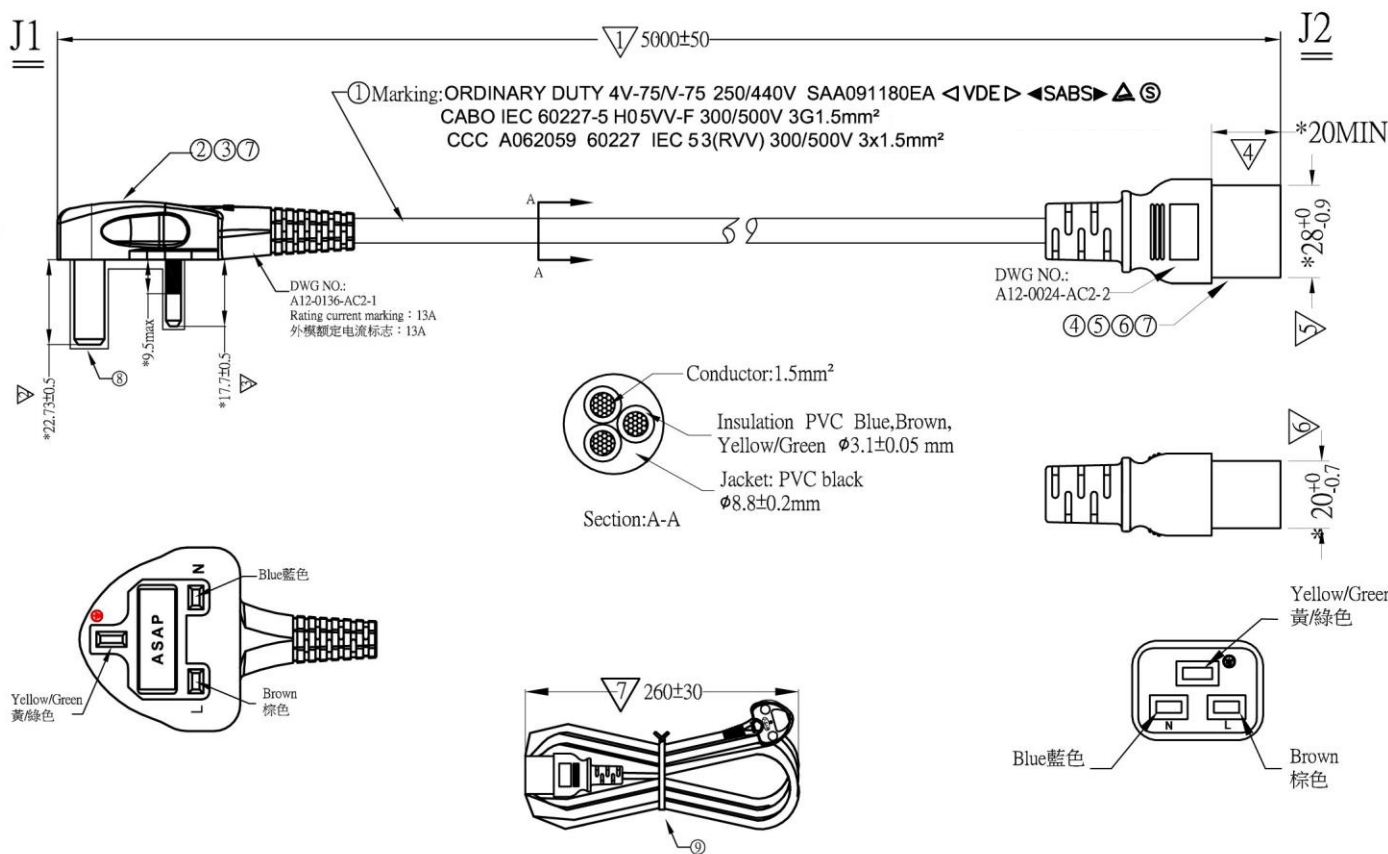
- 3.1 The attachment plug front show the test mark of "T".
插头主视面须有测试标志"T".
- 3.2 The dimension with "x" must be control and inspected importantly.
带"x"尺寸需重点管控和检验。
- 3.3 The dimensions with " * " are requested by safety standard.
带" * "尺寸为安规尺寸。
- 3.3 material and product comply with Doc No."QW-Q-043" 《material-and product- of restricted substance control specification》.
物料及成品必须符合QW-Q-043 《材料与成品限用物质管理规范》

4. Standards 标准

- 4.1 The cord shall comply with IEC 60227. 线材符合 IEC 60227
- 4.2 The molded plug shall comply with BS 1363-1:1995 and SS145/A. 插头符合 BS 1363-1:1995 和 SS 145/A.
- 4.3 The connector shall comply with GB17465.1, 连接器须符合 GB17465.1; wiring method 接线方式:

J1	cord	J2
E	Yellow/Green	E
L	Brown	L
N	Blue	N

REV.	DESCRIPTION	DESIGN	APPROVAL	DATE
E	ECN18-0000045669(UK 头部改缩小版)	Hongmei	XL DENG	2018.11.29
F	500000131545(remove "S" from CCC mark, Add Earth continuity test)	Hongmei	Hongjiang Zhu	2021.07.13



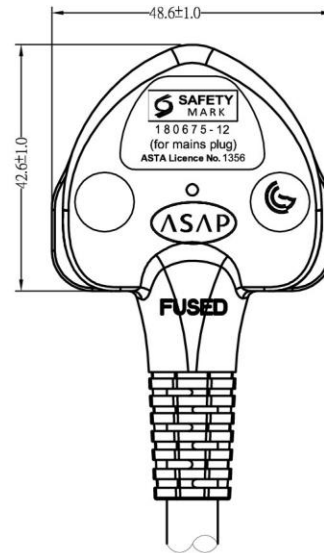
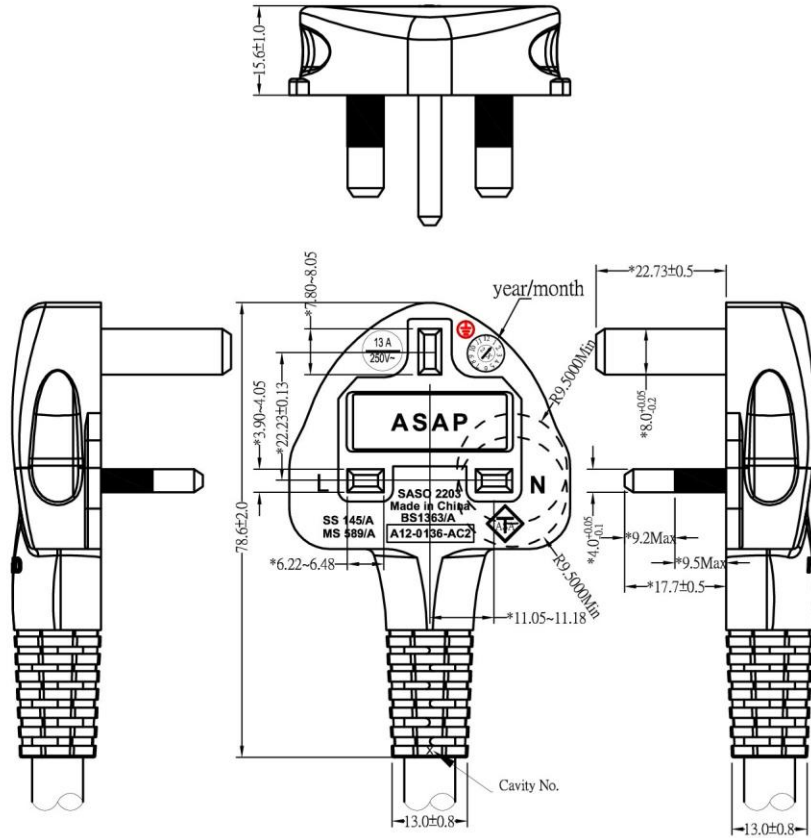
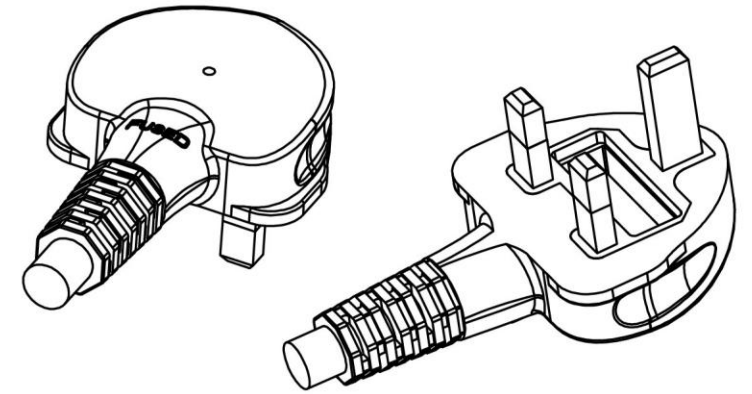
NO.	NAME	MATERIAL DESCRIPTION	UNIT	Q'TY
⑨	TIE	Black PE tie meeting RoHS.	pcs	1
⑧	COVER	UK plug protecting cover, white PE, meeting RoHS.	pcs	1
⑦	PLASITC	55P Black PVC pellets meeting RoHS and UL94 V-0.	g	NA
⑥	TERMINAL	2XSU type contact terminal with wing for C19 connector,	pcs	3
⑤	HOUSING	Down cover of C19, PBT material, black	pcs	1
④	HOUSING	Upper cover of C19, PBT material, black	pcs	1
③	FUSE	13A fuse ,comply with BS 1362;	pcs	1
②	INSERT	UK fuse plug insert with grounding, nickel-plated	pcs	1
①	POWER CORD	H05VV-F 3G1.5mm ² , Φ8.8±0.2mm, Black.	mm	NA

X.±	X.*±	UNITS	P/N:42-0577				
.X±	.X*±	mm	PART NO: L8CAC057-QT-N	TITLE: UK 3P To C19 L5m Black			
.XX±	.XX*±	MATL		APPD: Hongjiang Zhu	DWG NO: AC-14040179		
.XXX±	.XXX*±	FINISH	CHKD: Guangren Ouyang		SCALE	SHEET	REV.
		Q'TY	DR: Hongmei Hu		NONE	1/1	F

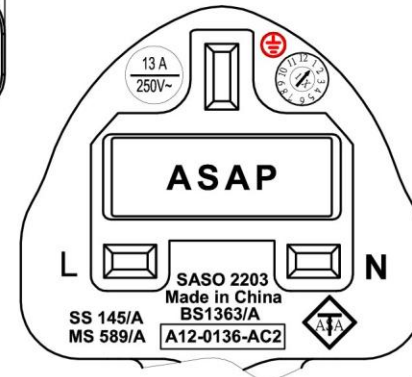
NOTE:
Technical Requirement: The dimension with " * " is for safety standard.

REV.	DESCRIPTION	DESIGN	APPROVAL	DATE
A	NEW	JING LIU	QS LIU	2018.7.3
B	Change the GSO logo	FG HU	QS LIU	2020.08.06

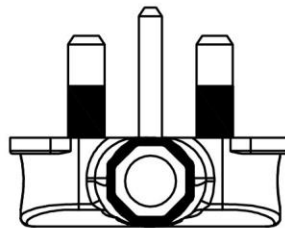
大主体图



注意



marking

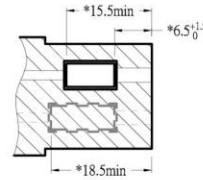
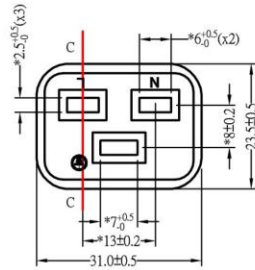


X. :±0.6	X.° :±1°	DWG TYPE: PRODUCT DRAWING									
.X :±0.4	.X° :±0.6°	MOUID NO: AC-P0136-x	TITLE: U.K Three pin Plug								
.XX:±0.10	.XX°:±0.3°	UNITS mm	DWG NO: A12-0136-AC2-1								
		APPD:朱红江	 <table border="1"> <tr> <td>SCALE</td> <td>SHEET</td> <td>REV.</td> </tr> <tr> <td>NONE</td> <td>1/1</td> <td>B</td> </tr> </table>			SCALE	SHEET	REV.	NONE	1/1	B
SCALE	SHEET	REV.									
NONE	1/1	B									
		CHKD: 刘秋顺									
		DRAW:胡方刚									

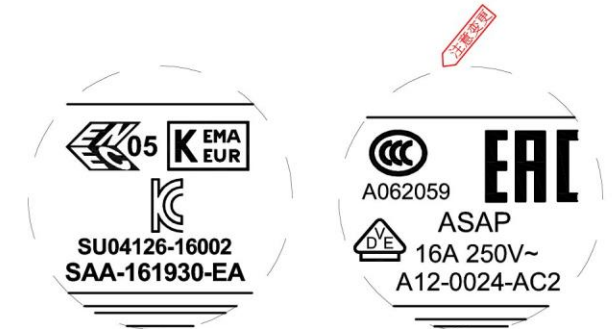
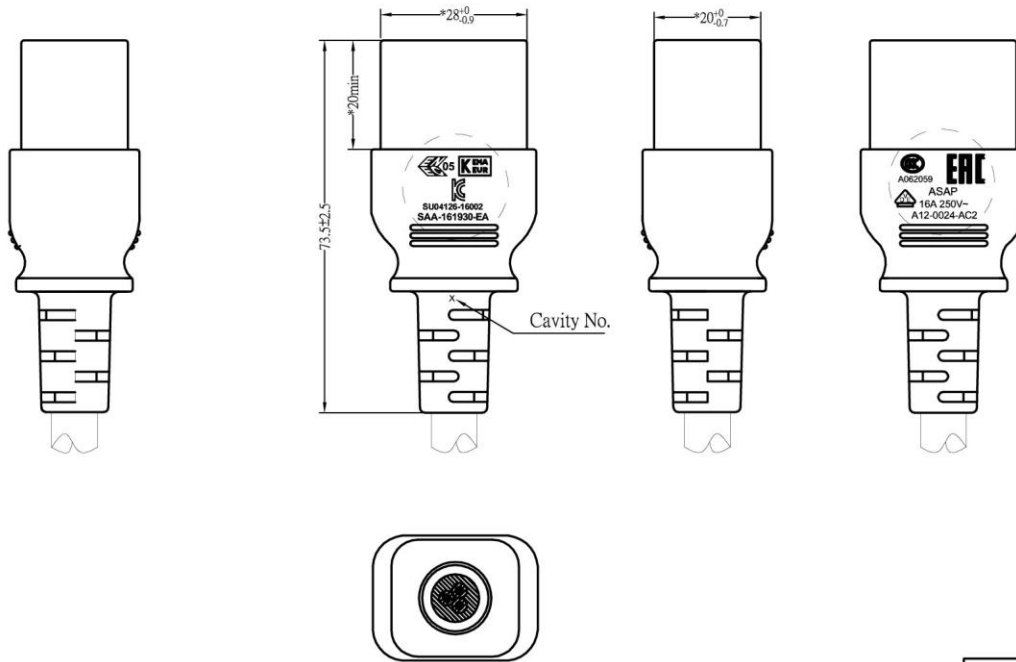
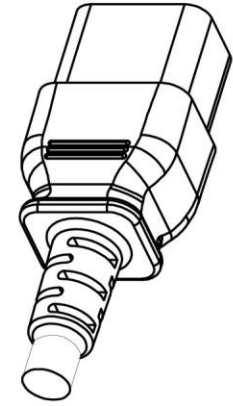
NO.	SPECIFICATION	Remark
1	H05VV-F 3x1.5mm2 OD:8.8	Round Cable

NOTE:
 Technical Requirement: The dimension with " * " is for safety standard.

REV.	DESCRIPTION	DESIGN	APPROVAL	DATE
A	NEW	Mark Chen	QS LIU	2019.04.09
B	端面增加倒R角	FG HU	QS LIU	2020.05.14



SECTION C-C



Marking 2.5:1

1	H05VV-F 3*1.5 OD:8.8	Round Cable
NO.	SPECIFICATION	Remark

X. :±0.6	X.° :±1°	DWG TYPE: PRODUCT DRAWING	TITLE: C19 Connector			
.X :±0.4	.X° :±0.6°					
.XX:±0.10	.XX°:±0.3°	MOUID NO: AC-C0024-x	DWG NO: A12-0024-AC2-2			
UNITS	mm	APPD:朱红江				
		CHKD:刘秋顺		SCALE	SHEET	REV.
		DRAW:Make chen		NONE	1/1	B