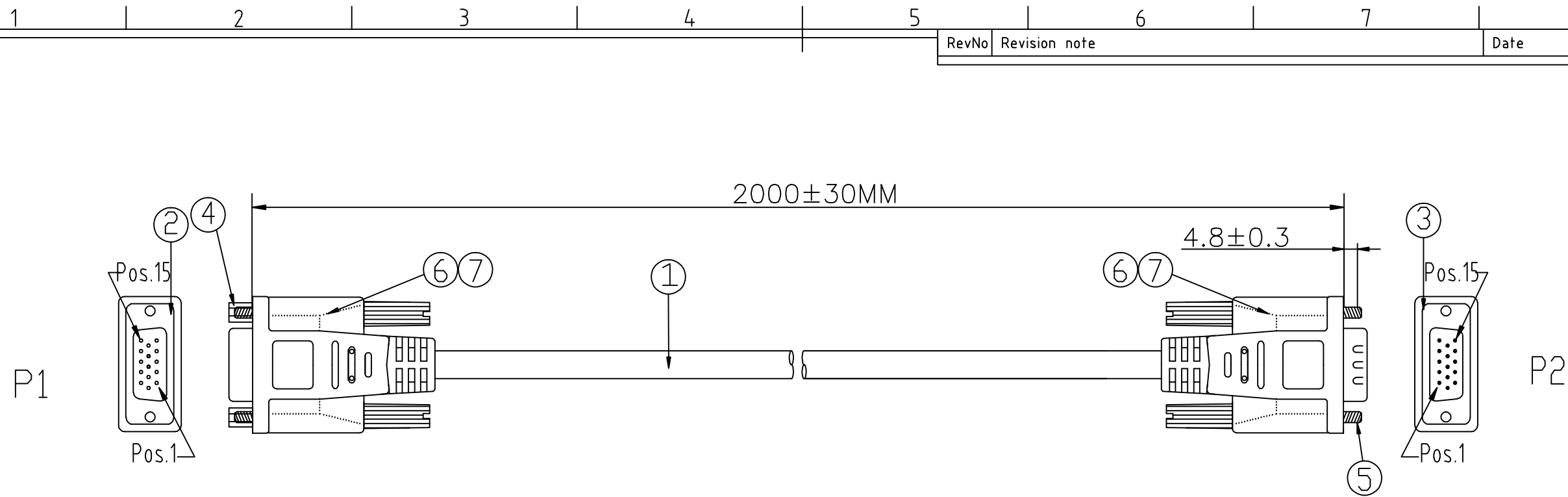


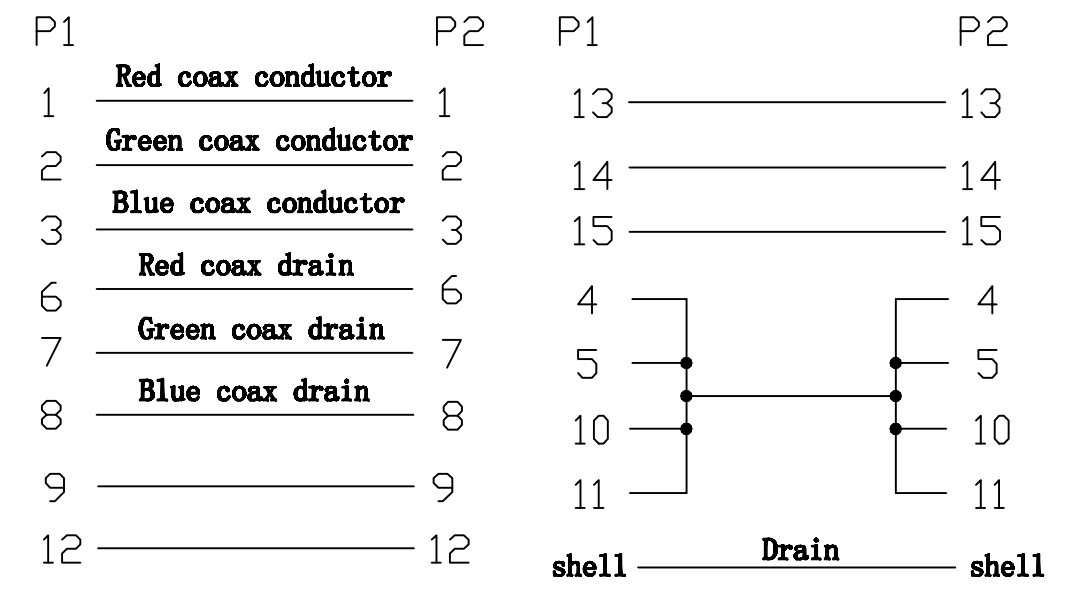
RevNo	Revision note	Date	Signature	Checked
-------	---------------	------	-----------	---------



REQUIREMENTS:

- 1:100% short,open and miss wire test.
- 2:Insulation resistance:DC300V 10MΩ(Min)
Conduction resistance 5Ω(Max)

PIN OUT



⑦	OUTER MOLDED	BLACK 45P PVC	0.038	KG
⑥	INTER MOLDED	LDPE	0.021	KG
⑤	SCREW	#4-40UNC 2.3*45.5MM,BLACK PVC	4	PCS
④	NUT	#4-40UNC 5.2*6.1MM	2	PCS
③	CONNECTOR	HDB 15PIN/MALE BLUE INSULATOR,NICKEL PLATED SHELL, GOLD PLATED PIN	1	PCS
②	CONNECTOR	HDB 15PIN/FEMALE BLUE INSULATOR,NICKEL PLATED SHELL, GOLD PLATED PIN	1	PCS
①	CABLE	(1C*28#+D+AL+PVC)*3C+6C*28#+AL+D+B JACKET:BLACK PVC OD:8.0±0.15 MARKING:AWM STYLE 2919 80°C 30V LOW VOLTAGE COMPUTER CABLE ROHS COMPLIANT	2	M
NO.	MATERIAL	DESCRIPTIONG	QTY.	UNIT

Ltemref	Quantity	Title/Name,designation,material,dimension etc	Article No./Reference		
Designed by ACHY	Checked by HELEN	Approved by - date MARCH 6.2012	File name HDB15PIN M/F L=2M	Date MARCH 6.2012	Scale FREE
			32 2020		
			32 2020	Edition 1	Sheet 1/1