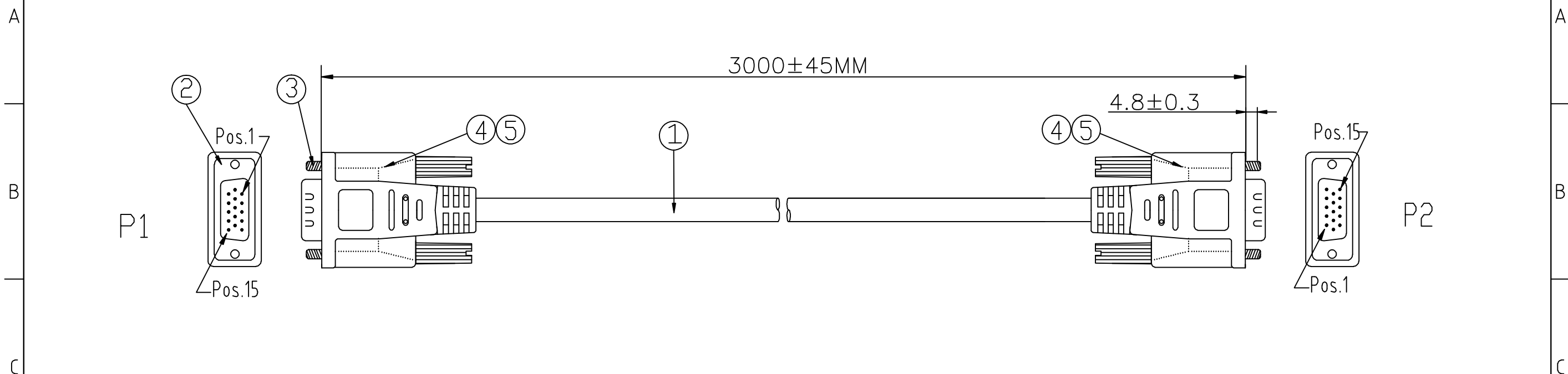


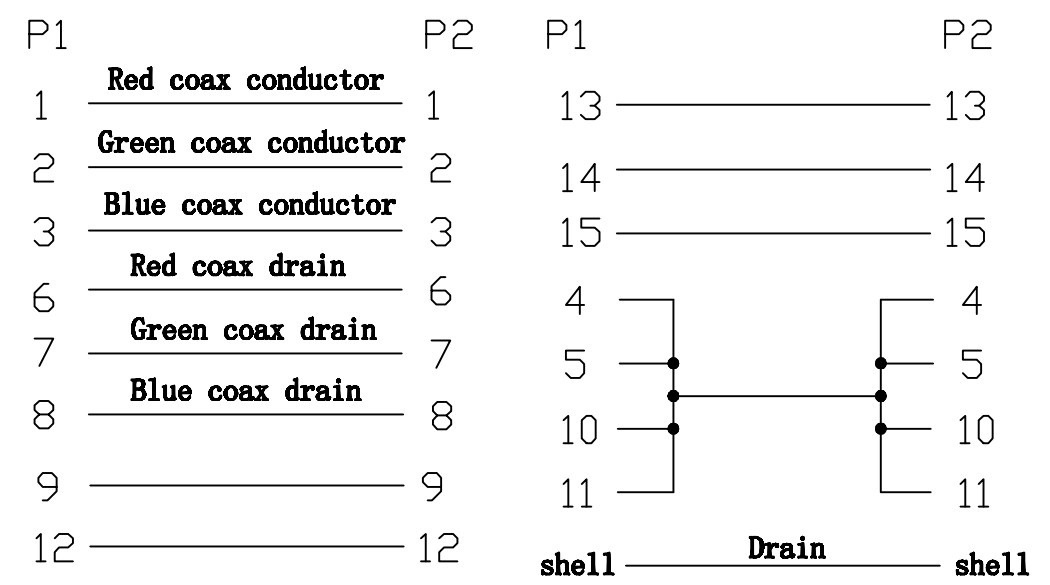
1 2 3 4 5 6 7 8



REQUIREMENTS:

- 1:100% short,open and miss wire test.
- 2:Insulation resistance:DC300V 10MΩ(Min)
Conduction resistance 5Ω(Max)

PIN OUT



⑥	OUTER MOLDED	BLACK 45P PVC	0.038	KG
⑤	INTER MOLDED	LDPE	0.021	KG
④	SCREW	#4-40UNC 2.3*45.5MM,BLACK PVC	4	PCS
③	CONNECTOR	HDB 15PIN/MALE BLUE INSULATOR,NICKEL PLATED SHELL, GOLD PLATED PIN	2	PCS
①	CABLE	(1C*28#+D+AL+PVC)*3C+6C*28#+AL+D+B JACKET:BLACK PVC OD:8.0±0.15 MARKING:AWM STYLE 2919 80℃ 30V LOW VOLTAGE COMPUTER CABLE ROHS COMPLIANT	3	M
NO.	MATERIAL	DESCRIPTIONG	QTY.	UNIT

Ltemref	Quantity	Title/Name,designation,material,dimension etc	Article No./Reference		
Designed by ACHY	Checked by HELEN	Approved by - date MARCH 6.2012	File name HDB15PIN M/M L=3M	Date MARCH 6.2012	Scale FREE
			32 1030		
			32 1030	Edition 1	Sheet 1/1

1 2 3 4 5 6 7 8