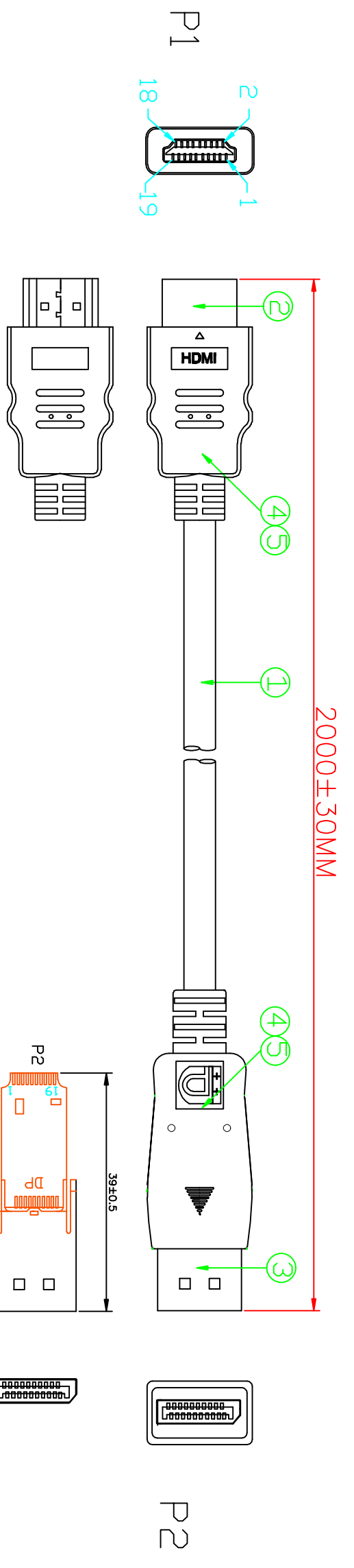
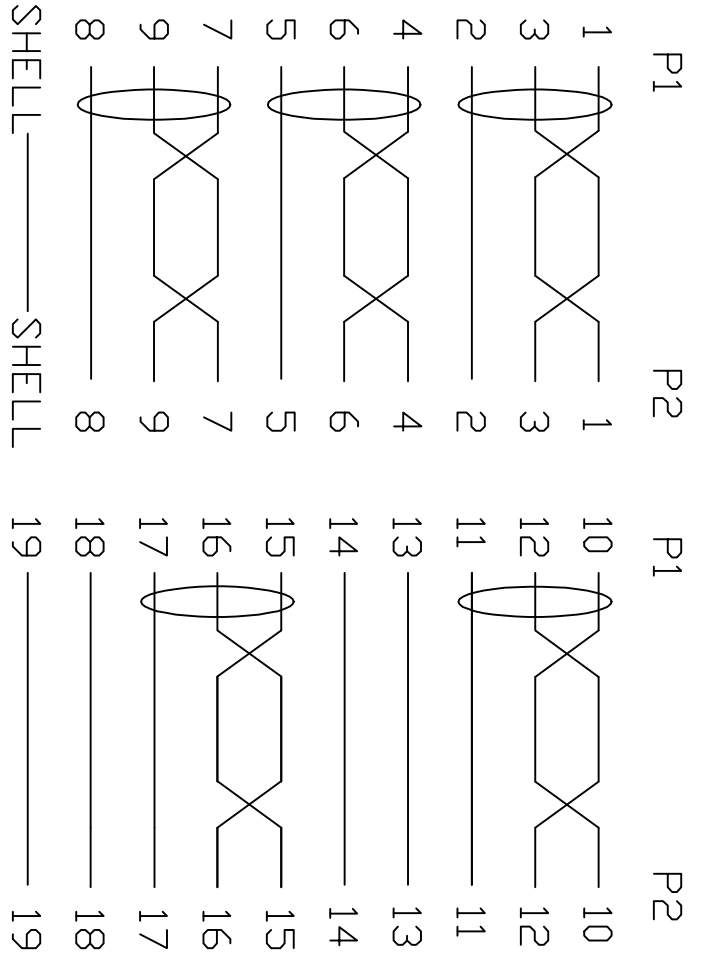


RevNo	Revision note	Date	Signature	Checked
-------	---------------	------	-----------	---------



PIN OUT



NOTES:
 1:100% short,open and miss wire test.
 2:Insulation resistance:DC300V 10MΩ(Min)
 Conduction resistance 5Ω(Max)
 3:HD—TV:1080P

⑤	OUTER MOLDED	WHITE 45P PVC	0.078	KG
④	INNER MOLDED	LDPE	0.024	KG
③	CONNECTOR	DISPLAYPORT MALE WITH PCB BOARD,THE PIN GOLD PLATED,THE SHELL FOR GOLD PLATING	1	PCS
②	CONNECTOR	HDMI A TYPE MALE,THE PIN GOLD PLATED,THE SHELL FOR GOLD PLATING	1	PCS
①	CABLE	(1P*30#+D+AL+MYLAR)*5C+5C*30#+F+ADB JACKET:BLACK PVC,OD:6.0±0.2MM	2000	MM
NO.	MATERIAL	DESCRIPTION	QTY.	UNIT

Itemref	Quantity	Title/Name,designation,material,dimension etc		Article No./Reference
Designed by	Checked by	Approved by - date	File name	Date
ANGLE:	UNIT:MM		HDMI/AM-DP/M BLACK,2M	OCT 23,2014.
			24_0216	OCT 23,2014.
				Scale
				FREE
				HDMI/AM-DP/M BLACK,2M
				24_0216
				Edition
				1
				Sheet
				1/1