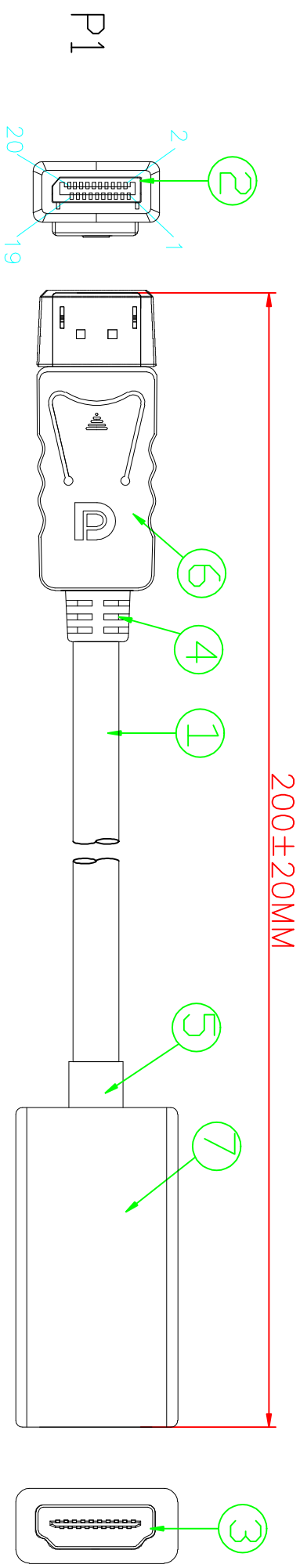
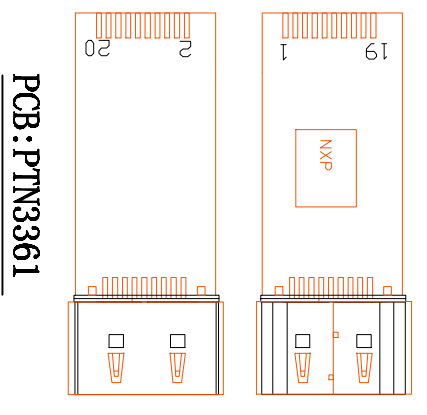
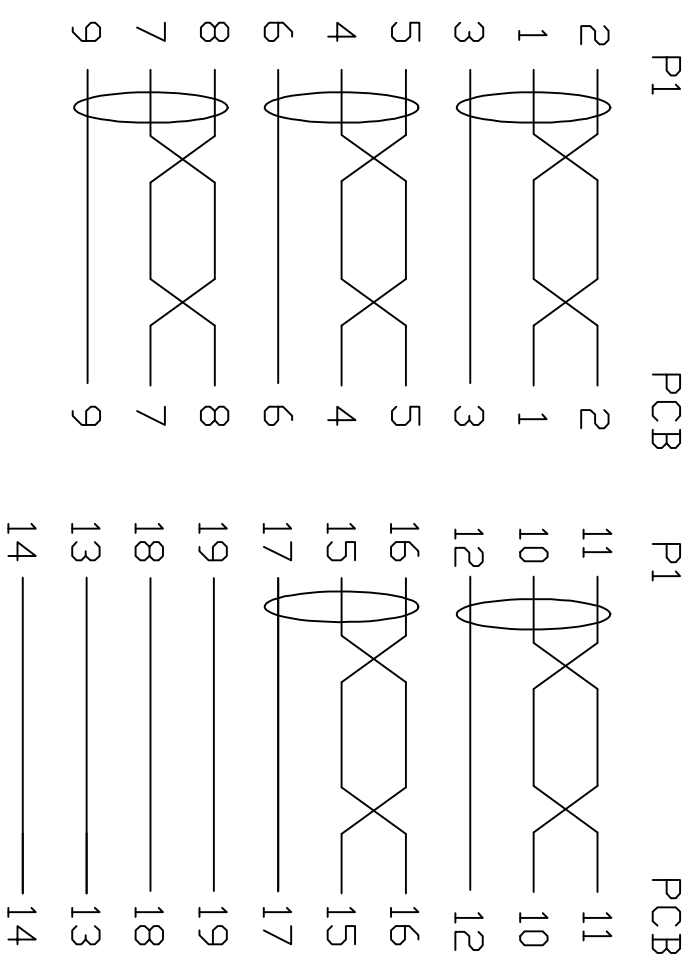


RevNo	Revision note	Date	Signature	Checked
-------	---------------	------	-----------	---------



PIN OUT



PCB: PTN3361

NOTES:

- 1:100% short,open and miss wire test.
- 2:Insulation resistance:DC300V 10MΩ(Min)
- Conduction resistance 5Ω(Max)

⑦	COVER	OUTER COVER FOR MDMI FEMALE,BLACK	1	PCS
⑥	COVER	OUTER COVER FOR DP MALE,HOOK TYPE,BLACK	1	PCS
⑤	SR MOLDED	BLACK 60P PVC	0.024	KG
④	SR MOLDED	BLACK 60P PVC	0.024	KG
③	CONNECTOR	HDMI A TYPE FEMALE WITH PCB(A(NXP)),GOLD PLATED PIN AND SHELL,BLACK INSULATION	1	PCS
②	CONNECTOR	DP 20PIN MALE,HOOK TYPE,GOLD PLATED PIN AND SHELL,BLACK INSULATION	1	PCS
①	CABLE	UL20276(32AWG*1P+D+AL/MY)*5C+32AWG*5C+MY/AL+D+BRAID,JACKET PVC Black. OD=5.5±0.20mm	200	MM
NO.	MATERIAL	DESCRIPTIONG	QTY.	UNIT

Ltref	Quantity	Title/Name,designation,material,dimension etc		Article No./Reference
Designed by	Checked by	Approved by - date	File name	Date
ANGLE:	UNIT:MM	SEP 13.2013	DP/M TO HDMI/F	SEP 13.2013
			DP/M TO HDMI/F BLACK 0.2M	
			24_0208	Edition 1
				Sheet 1/1